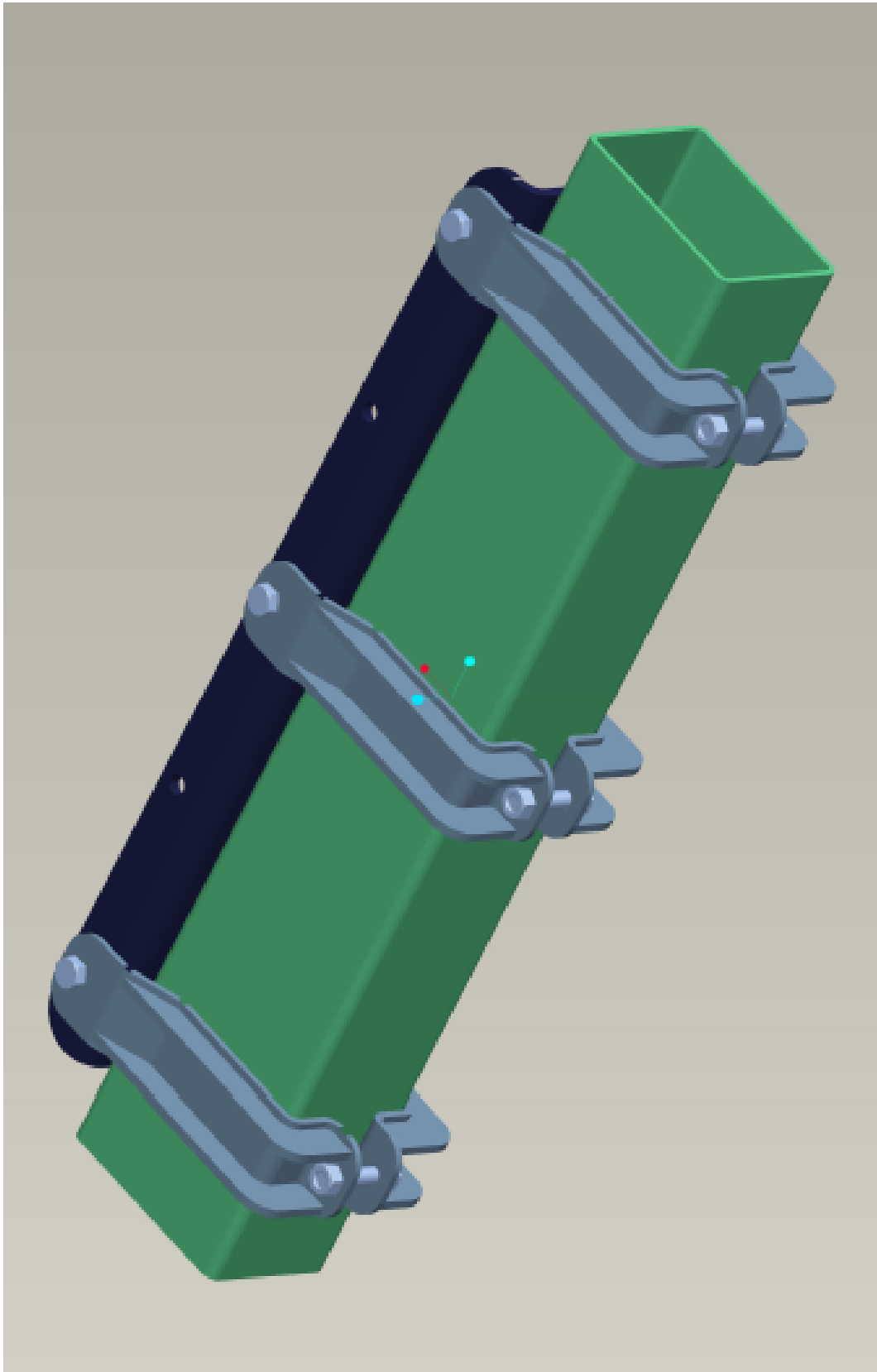


# PK100150S



## **Pillar fastener 100 x 150**

For rectangular pillars 100x150 mm,  
installation of 100 mm side,  
incl. full set of fastening screws,  
hot-dip galvanized.  
Weight 5,5 kg

Product code    Pk100150S