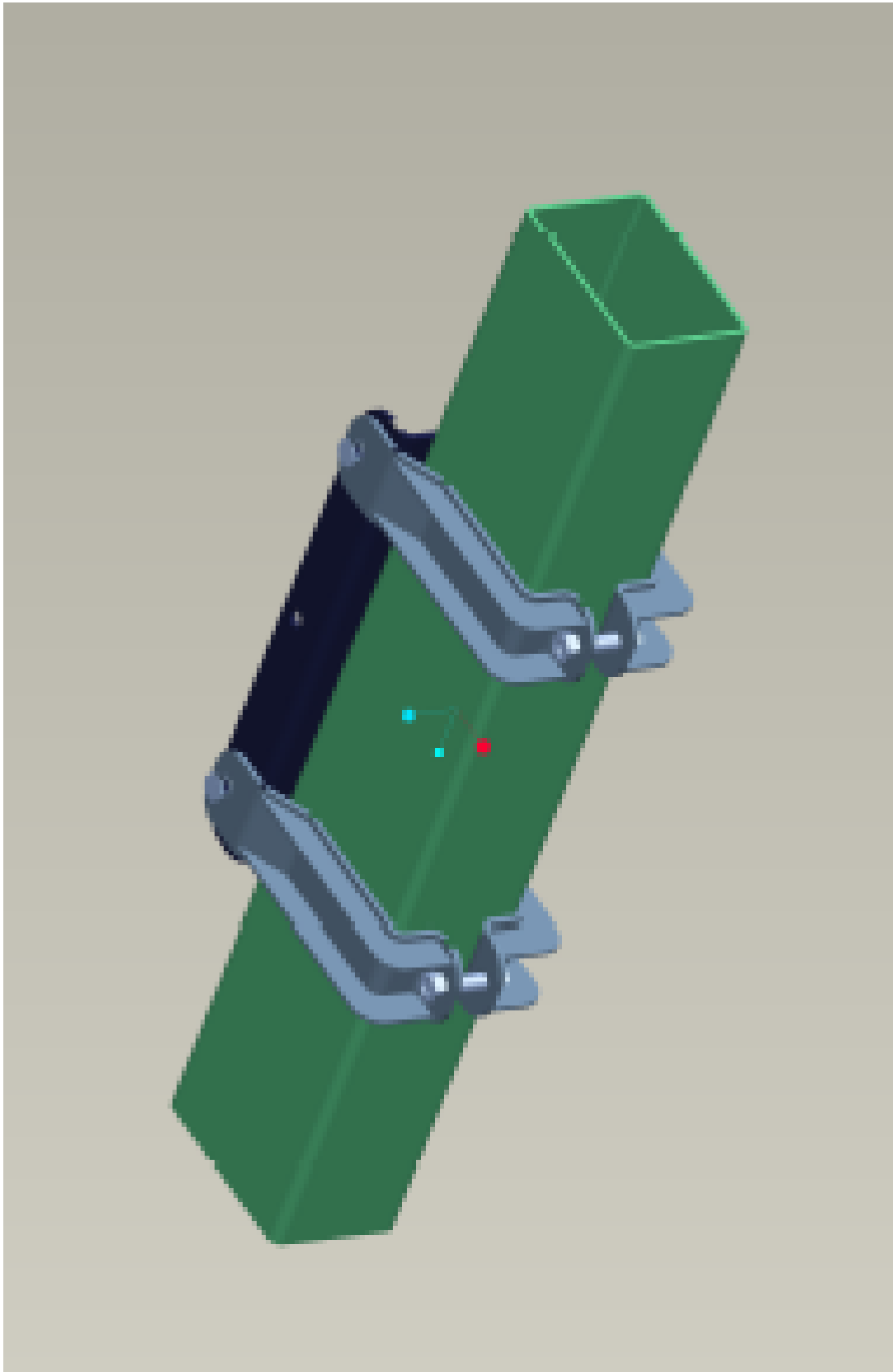


PK100150SMN



Pillar fastener 100 x 150

For rectangular pillars 100x150 mm,
installation of 100 mm side,
incl. full set of fastening screws,
hot-dip galvanized.
Weight 3,5 kg

Product code Pk100150SMN