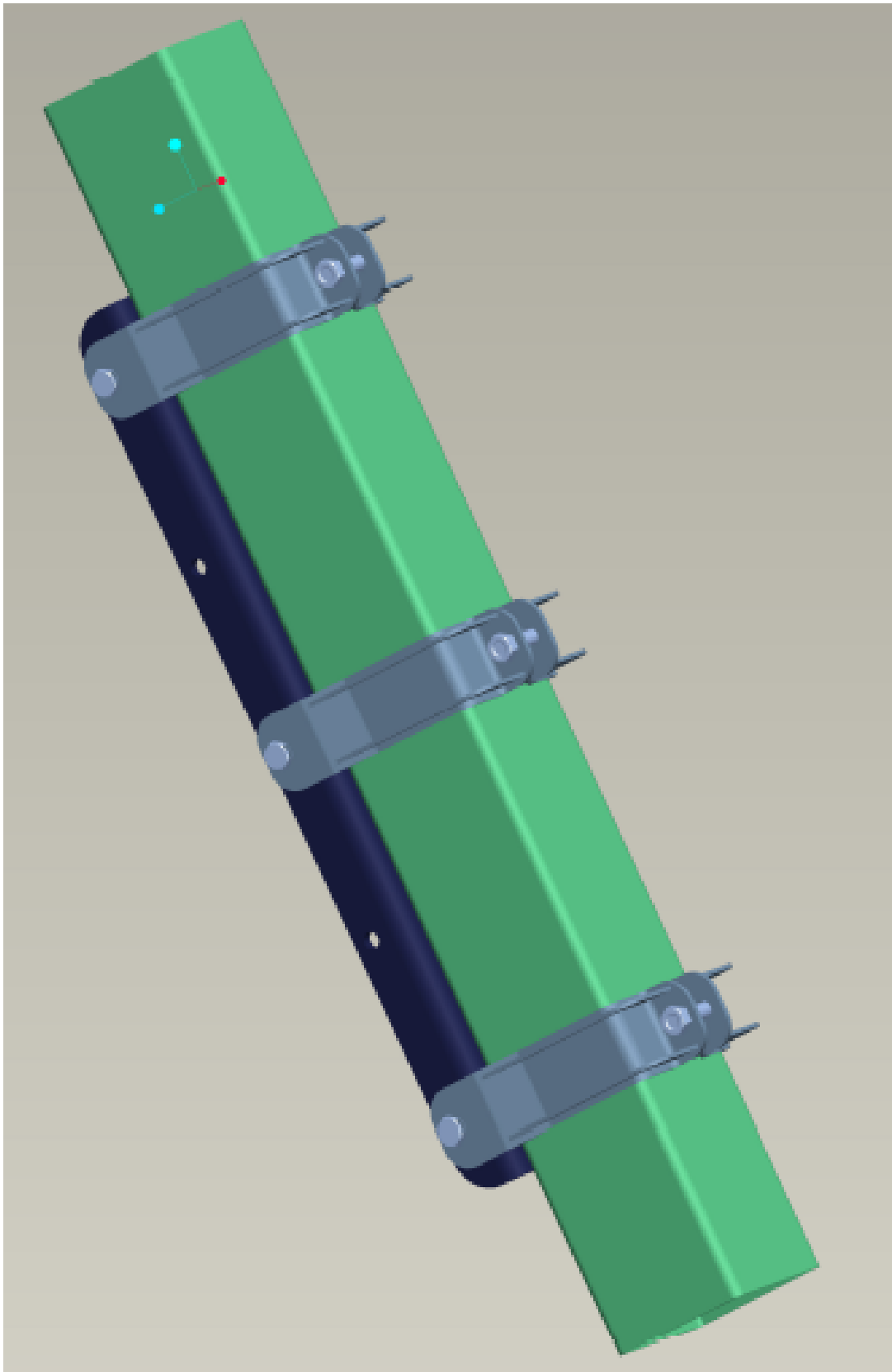


# PN120S



## **Pillar fastener 120x120**

For square pillars 120x120 mm,  
incl. full set of fastening screws,  
hot-dip galvanized.  
Weight 5 kg

Product code    PN120S