

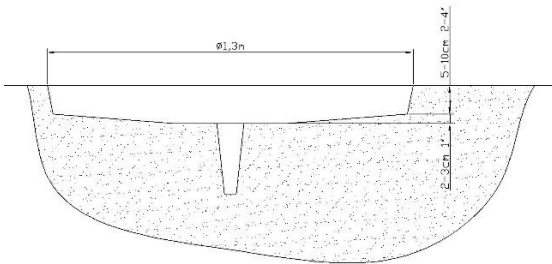
EasySwing Totem Ground Installation

With these instructions You can install a Totem Brush to soft ground using Ground Installation Kit:

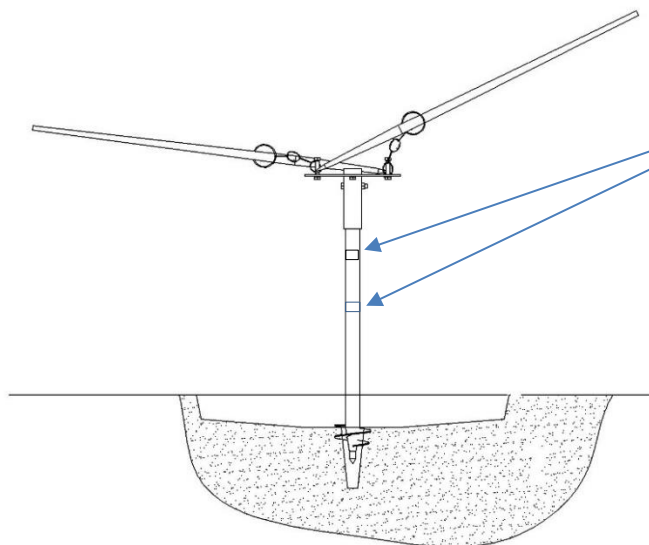
Ground Installation Kit includes:

- Ground Installation Pole (TT001-3)
- Installation Plate, bolts and chains (TT001-4)
- Plywood Plate (TT001-5)

Step 1: Put the plywood Plate to the flat terrain. Mark the edges of the plywood plate to the ground with a shovel, so you know how large area you need to take dirt away. Mark the centerpoint of the plate to ground. Take the plate off that you are able to dig the hole.

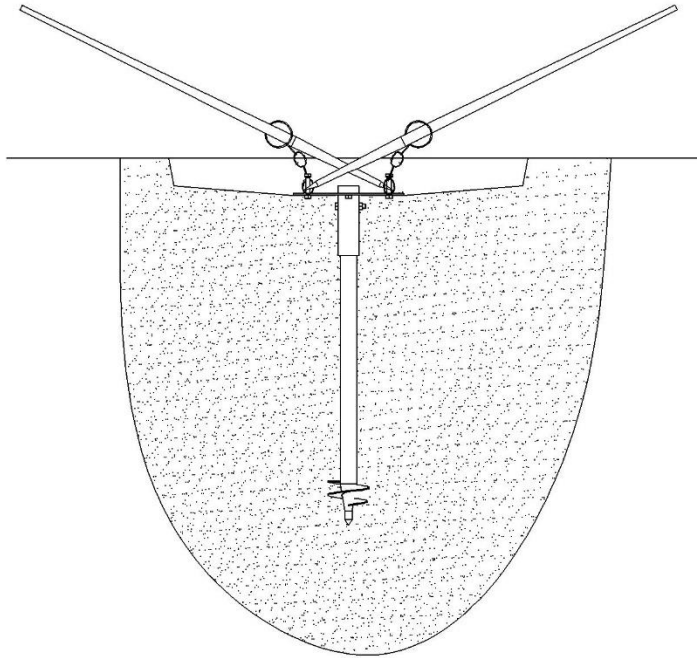


Step 2: Install the Installation Plate to the Ground Installation Pole with 16x100 mm bolt and nut. Install the chains with bolts to the Plate, so you will get chain links where you can put Iron bars to set Ground Installation Pole to its place.



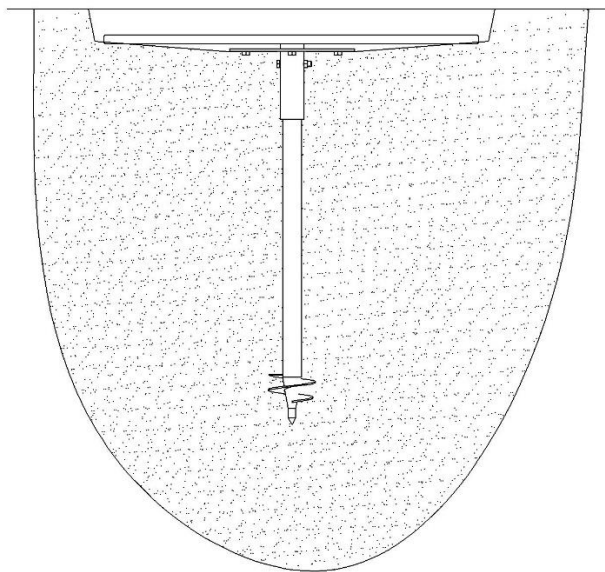
If the ground is hard, it is also possible to use the holes middle of the installation pole to fix the installation plate.

Step 3: Tighten Ground Installation Pole so, that the installation plate is attached to solid ground.



Step 4: Put the plywood plate on the Installation Plate.

The plywood plate should be assembled so, that it will be 5-10 cm below ground surface. The center part of the hole should be slightly more deep than the edges.



Step 5: Install the Floor Stand on the plywood plate with 16x80 mm bolts. Tighten the bolts carefully. Install the Brush into the Floor Stand and tighten the bolts carefully. Shovel some dirt on the plywood plate so that it will not be too slippery for the animals.

