

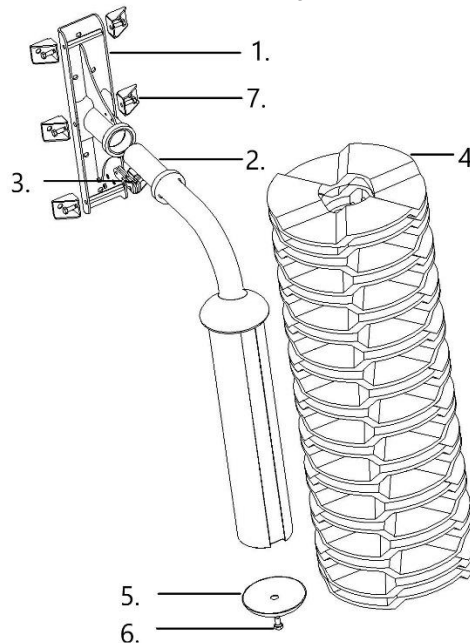
# EasySwing Maxi operating and installation instructions

Read the instructions carefully prior to installation and comply with all of them. Keep the instructions carefully for further use.

The EasySwing Maxi Brush System for Animals is designed for independent brushing of animals both indoors and outdoors and is suitable for year-round usage.

## Package contents:

- 1 pc Stand (1)
- 1 pc Brush shaft (2)
- 1 pc Locking latch (3)
- 21 pcs Brush disc (4)
- 1 pc Tensioner lid (5)
- 1 pc M16 x 50 bolt + shouldered washer (6)
- 2 pcs M8 x 35 bolts + nuts
- 4 pcs Washer
- 6 pcs Corner Fastener (7)
- 2 pcs Intermediate Nut



## Safety instructions:

Stay three meters away from the brush device when it is in use. When installing, maintaining or cleaning the brush device, animals must be kept away from near the brush.

Installing must be done by at least two competent persons or with help of a suitable lifting device, for instance hoisting tackle. Additionally, current safety regulations must be followed.

The device must be used only with the attached parts or with spare parts and accessories delivered by the manufacturer and listed in the spare parts list of the manufacturer. If the warning stickers of the brush are damaged or not readable, they must be replaced immediately by new ones.

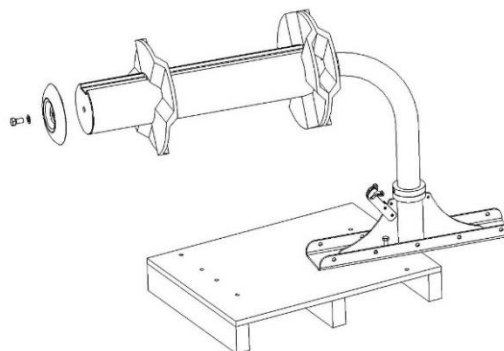
The brush device must be checked daily for observable damages to ensure a general service condition. Worn-out and damaged parts must be replaced by new genuine parts. Brush discs must be replaced if they are broken, worn-out or not cleaning efficiently.

Check the screws and the joint of the brush weekly. Tighten the screws if needed and lubricate the joint according to the maintenance instructions. Children must not be around the brush when it is in use or being installed. If the brush is handed over to another owner, they must be given all the instructions attached to the brush. The manufacturer is not responsible for damages caused by installation or use contrary to the instructions.

**Important note! Non-compliance with the instructions may cause damages to people, animals or objects!**

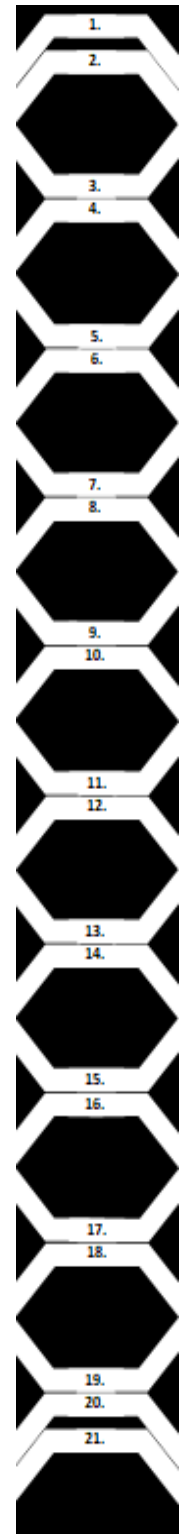
## Assembling the brush part:

Installing the brush discs onto the brush shaft is easiest to do before attaching it to the stand, as shown in the illustration. Attach the stand to a suitable base, such as a pallet as in the illustration. One bolt is enough when the brush shaft is turned slightly sideways in relation to the base.



If the brush system is already attached to a wall and e.g. the brush discs require changing, it is recommended to turn the brush shaft to a horizontal position and secure it with e.g. a vertically placed plank. This helps make the job easier.

Install the brush discs onto the brush cylinder so that the pegs on the brush disc go inside the groove on the cylinder.



**Brush disc assembling directions**

The first two and the last two brush discs are assembled co-directionally (see the Picture on the right). The other brush discs between them are assembled as a mirror image of the first- and last ones so that there will be hexagonal gaps between the brushes. The final brush disc may be slightly over the edge of the cylinder. Use the tensioner lid to secure the brush discs onto the cylinder, using M16 x 50 bolt and shouldered washer attaching to it.

A 24mm socket wrench is required for installation. Set the tensioner lid on the head of the cylinder and attach it using an M16 bolt and shouldered washer. Fasten the lid against the end of the cylinder, tension torque 180-200 Nm. Check that the tensioner lid is firmly attached.

#### **Attaching the stand:**

The stand is attached approximately 30 cm higher than the animal's height of the withers, measured from the joint on the stand. For cows, the usual height of the joint is about 1.8 m.

If the stand is being attached to a surface made of e.g. strong steel or concrete, no additional fasteners are required for the structure (see the instructions with standard attaching kit). It is essential to attach the stand to its base so tightly that it does not begin moving even over a long period of time. Using through bolts (bolts that go through the structure itself) and suitably large washers on the back is recommended.

Naturally, the ideal tightness of the fastening depends on what kind of animal the brush system is being installed for. Using bovines as an example, cows are always more relaxed than bulls when using the brush. The stand can be attached to different pillar structures using separate fastening kits.

The stand is installed vertically. It is symmetrical, so it can be installed onto the structure both ways.

#### **Getting started:**

Once the stand is installed, the brush shaft is pushed into the tube on the stand. Oiling the joint surface beforehand is a good way to make installation easier. Attach the locking latch (the part with the slide mechanism) to the bottom of the stand with two M8 bolts.

**IMPORTANT NOTE: The joint on the brush system MUST be lubricated through a grease nipple before beginning use of the brush!**

#### **Use and maintenance:**

The brush system settles in place gradually. After a couple of weeks in use, check if any of the stand's fastening bolts have loosened and tighten them if necessary. Following the first lubrication, the joint should be lubricated again after the first two weeks of use. Afterwards, depending on usage, lubricate the joint 2 to 4 times a year. For brush discs, the recommended temperature while in use is from -20 to +40 degrees Celsius. If necessary, the brushing device can be washed with pressurized water, max. 100 bar and +50 degrees Celsius. The brush device has to be lubricated after washing.

#### **Recycling Brush discs:**

Brush discs are made of recyclable polypropylene and can be disposed in an appropriate waste disposal facility.


#### **Guarantee:**

The guarantee is 24 months for the brush shaft and 12 months for the brush discs, starting from the day of the purchase. For the guarantee, usage is seen as prescribed when one brush is used by maximum 60 animals. The guarantee covers only material and construction faults of brushes used according to instructions. The guarantee does not cover faults caused by negligent or inappropriate use, intentional harming or use that is contrary to the instructions.

The guarantee lapses regardless of the guarantee period mentioned above, if service operations described in the instructions were not carried out in time or appropriately, if worn-out parts were not replaced in time or if the device was used despite of noticeable faults or damages. The guarantee applies only to material costs of faulty and changeable spare parts. In particular labor and transport costs due to changing of faulty parts or repair are excluded. Costs are not covered especially when the repair work was carried out without contacting the manufacturer beforehand.

#### **EC DECLARATION OF CONFORMITY**

Certifies that the EasySwing Maxi Brush System for Animals cattle brush has been designed and manufactured to conform to the following EC Directive of 17 May 2006 "relating to machinery" **2006/42/EC**

<p>Our company: FinnEasy Oy Juha Kultanen Paavontie 7 82200 Hammaslahti FINLAND puh. +358(0)504923501 <a href="mailto:juha.kultanen@finneasy.com">juha.kultanen@finneasy.com</a></p>	<p>The following documents have been created for this product: Usage and maintenance instructions Technical illustrations Other technical documents, including quality assurance procedures for design and manufacturing</p>	<p>Place and Date Joensuu, 6 April 2016 Name, Signature and Title  Juha Kultanen, Managing Director</p>
--	--	--