

# EasySwing Midi Operating and installation instructions (ES03-X1)

Read the instructions carefully prior to installation and comply with all of them. Keep the instructions carefully for further use.

The **EasySwing Midi** Brush System for Animals is designed for independent brushing of animals both indoors and outdoors and is suitable for year-round usage.

## Package contents:

- 1 pc Stand
- 1 pc Brush shaft
- 1 pc Brush shaft extension
- 13 pc Brush disc
- 1 pc Tensioner lid
- 6 pcs M12 Bolts + Washer
- 1 pc M16 Bolt + Shouldered washer
- 1 pc Midi Fastener Kit
- 1 pc M8x10 Hex head screw
- 1 pc 6 mm Hex head tool

## Safety instructions:

Stay three meters away from the brush device when it is in use. When installing, maintaining or cleaning the brush device, animals must be kept away from near the brush.

Installing must be done by at least two competent persons or with help of a suitable lifting device, for instance hoisting tackle. Additionally, current safety regulations must be followed.

The device must be used only with the attached parts or with spare parts and accessories delivered by the manufacturer and listed in the spare parts list of the manufacturer. If the warning stickers of the brush are damaged or not readable, they must be replaced immediately by new ones.

The brush device must be checked daily for observable damages to ensure a general service condition. Worn-out and damaged parts must be replaced by new genuine parts. Brush discs must be replaced if they are broken, worn-out or not cleaning efficiently.

Check the screws and the joint of the brush weekly. Tighten the screws if needed and lubricate the joint according to the maintenance instructions. Children must not be around the brush when it is in use or being installed. If the brush is handed over to another owner, they must be given all the instructions attached to the brush. The manufacturer is not responsible for damages caused by installation or use contrary to the instructions.

**Important note! Non-compliance with the instructions may cause damages to people, animals or objects!**

## Assembling the brush part:

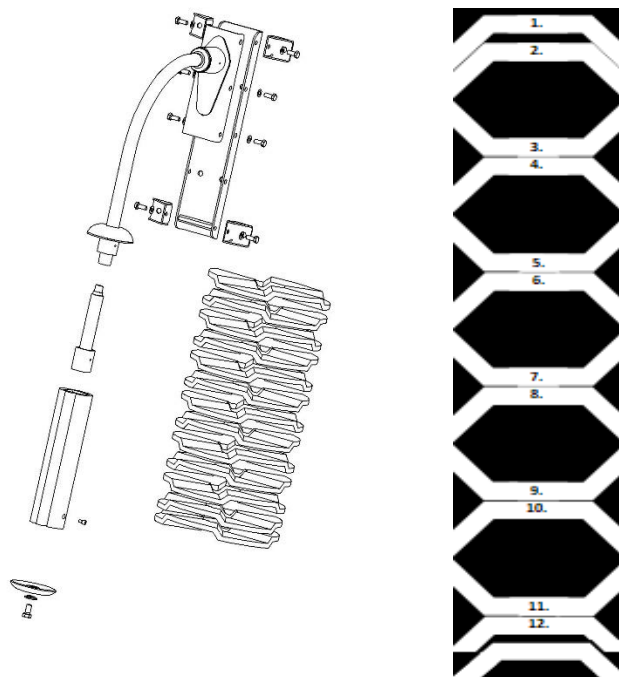
Install the brush frame and the wall frame. Install the brush frame extensions. Support the brush frame in a horizontal position, eg. with a plank. Thread the cast iron cylinder into the body and secure it with the supplied hexagon screw. Add the first two and the last two of the brush disks as presented in picture above.

The lamellae are fixed to the cylinder with a clamping lid. A 24mm socket wrench is required for installation. Place the clamping cover on the end of the cylinder and lightly secure the cover with M16 adhesive bolt and locking washer. Attach the cover firmly.

## Attaching the brush:

The brush is attached approximately 30 centimetres (about 12 inches) higher than the animal's height of the withers, measured from the joint on the brush shaft. For animals that are still growing, the height can be set higher. The height of the brush can be adjusted by 45 cm/18 inches, in 15 cm/6 inch increments, without the need to remove the wall attachment from its frame. This should be taken into account when planning the installation of the wall frame.

If the stand is being attached to a surface made of e.g. strong steel or concrete, no additional fasteners are required for the structure. It is essential to attach the stand to its base so tightly that it does not begin moving even over a long period



of time. Using through bolts (bolts that go through the structure itself) and suitably large washers on the back is recommended.

Naturally, the ideal tightness of the fastening depends on what kind of animal the brush system is being installed for. Using bovines as an example, cows are always more relaxed than bulls when using the brush. The stand can be attached to different pillar structures using separate fastening kits. Once the wall frame is installed, the brush shaft is placed into the frame and attached from the side with M12 bolts, first loosely placed and then fastened tight.

**Use and maintenance:**

The brush system settles in place gradually. After a couple of weeks in use, check if any of the stand's fastening screws have loosened and tighten them if necessary. Following the first lubrication, the joint should be greased again after the first two weeks of use. Afterwards, depending on usage, lubricate the joint 2 to 4 times a year. For brush discs, the recommended temperature while in use is from -20 to +40 degrees Celsius (-4 to +104 °F).

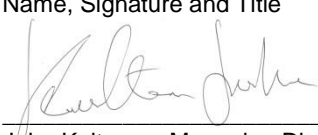
**Guarantee:**

The guarantee is 24 months for the brush shaft and 12 months for the brush discs, starting from the day of the purchase. For the guarantee, usage is seen as prescribed when one brush is used by maximum 60 animals. The guarantee covers only material and construction faults of brushes used according to instructions. The guarantee does not cover faults caused by negligent or inappropriate use, intentional harming or use that is contrary to the instructions.

The guarantee lapses regardless of the guarantee period mentioned above, if service operations described in the instructions were not carried out in time or appropriately, if worn-out parts were not replaced in time or if the device was used despite of noticeable faults or damages. The guarantee applies only to material costs of faulty and changeable spare parts. In particular labor and transport costs due to changing of faulty parts or repair are excluded. Costs are not covered especially when the repair work was carried out without contacting the manufacturer beforehand.

**EC DECLARATION OF CONFORMITY**

Certifies that the EasySwing Midi Brush System for Animals cattle brush has been designed and manufactured to conform to the following EC Directive of 17 May 2006 "relating to machinery" **2006/42/EC**

Our company: FinnEasy Oy Juha Kultanen Paavontie 7 82200 Hammaslahti FINLAND puh. +358(0)504923501 <a href="mailto:juha.kultanen@finneasy.com">juha.kultanen@finneasy.com</a>	The following documents have been created for this product: Usage and maintenance instructions Technical illustrations Other technical documents, including quality assurance procedures for design and manufacturing	Place and Date Joensuu, 6 April 2016 Name, Signature and Title  Juha Kultanen, Managing Director
--	--	---