

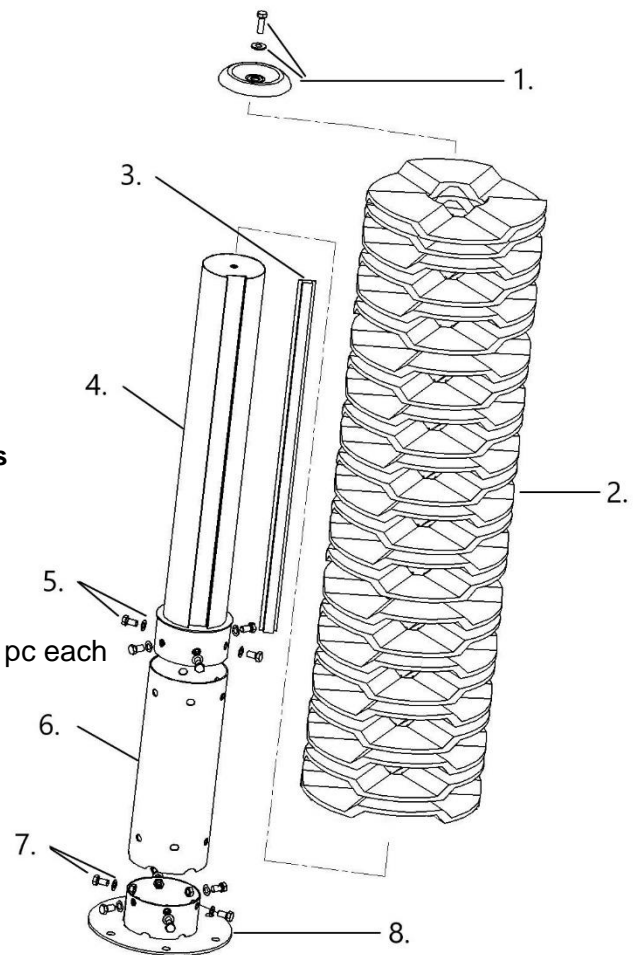
Totem TT001-X1

User Instructions

The EasySwing Totem brush is intended for the animals to scratch and clean themselves.

Parts List:

1. Tensioner Lid, Drilloc Bolt 16x50 mm and washer, 1 pc each
2. Brush Discs 500mm, 25 pcs
3. Assembling List, 1 pc
4. Upper Frame, 1 pc
5. Upper Frame Bolts and Washers, 16x30mm, 6 pcs
6. Lower Frame, 1 pc
7. Lower Frame Bolts and Washers, 16x30mm, 6 pcs
8. Floor Stand, galvanized, 1 pc



Safety instructions:

The device must be used only with the attached parts or with spare parts and accessories delivered by the manufacturer and listed in the spare parts list of the manufacturer. If the warning stickers of the brush are damaged or not readable, they must be replaced immediately by new ones.

The brush device must be checked daily for observable damages to ensure a general service condition. Worn-out and damaged parts must be replaced by new genuine parts. Brush discs must be replaced if they are broken, worn-out or not cleaning efficiently. Check the screws of the brush weekly. Tighten the screws if needed. Children must not be around the brush when it is in use or being installed. If the brush is handed over to another owner, they must be given all the instructions attached to the brush. The manufacturer is not responsible for damages caused by installation or use contrary to the instructions.

Use and maintenance:

After a couple of weeks in use, check if any of the stand's fastening screws have loosened and tighten them if necessary. For brush discs, the recommended temperature while in use is from -20 to +40 degrees Celsius (-4 to +104 °F).

Recycling Brush discs:

Brush discs are made of recyclable polypropylene and can be disposed in an appropriate waste disposal facility.

Guarantee:

The guarantee is 24 months for the brush shaft and 12 months for the brush discs, starting from the day of the purchase. For the guarantee, usage is seen as prescribed when one brush is used by maximum 60 animals. The guarantee covers only material and construction faults of brushes used according to instructions. The guarantee does not cover faults caused by negligent or inappropriate use, intentional harming or use that is contrary to the instructions.

The guarantee lapses regardless of the guarantee period mentioned above, if service operations described in the instructions were not carried out in time or appropriately, if worn-out parts were not replaced in time or if the device was used despite of noticeable faults or damages. The guarantee applies only to material costs of faulty and changeable spare parts. In particular labor and transport costs due to changing of faulty parts or repair are excluded. Costs are not covered especially when the repair work was carried out without contacting the manufacturer beforehand.

1. Check that all the parts are in the package (see the Parts List)



2. Attach the Lower Frame to the Stand with 16x30mm Bolts and washers



3. Attach the Upper Frame to Lower Frame with 16x30 mm Bolts and washers.



4. Add the 25 brush discs so, that the lowest disc is the pins upwards, and the next ones mirrorways. The two last discs are installed the pins downwards.



Brush Disc
Installation
directions

5. After installing the brush discs, slide the plastic assembling list to its place into the upper frame.



6. Install the Tensioner Lid with the DriLoc bolt and shouldered washer. Tighten all the bolts.



For Ground Installation you can use a concrete plate, Ground Installation Kit (TT001-7) or Rock Installation Kit (TT001-8). Installation kits are optional. Ask your EasySwing dealer.

The Totem brush and package dimensions:

